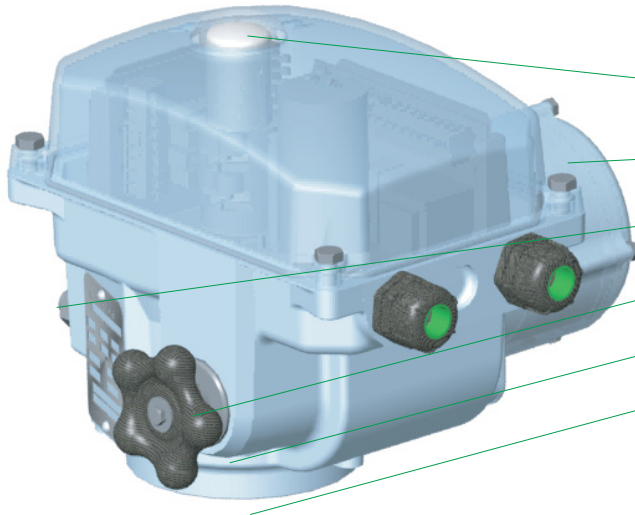


QUARTER TURN ELECTRIC ACTUATORS 45 & 100 N.m

The LEB actuators are dedicated to building automation and equivalent applications (HVAC , greenhouses, large swimming pools, ...).

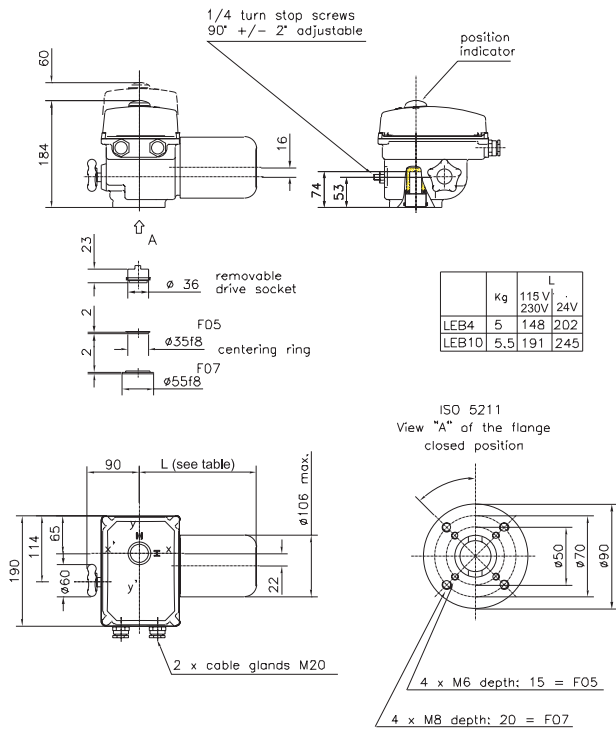


Main features :

- optical position indicator
- high available torque motor
- adjustable mechanical stops
- real emergency handwheel
- self-locking output gear
- extractable socket

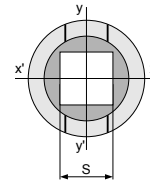
SPECIFICATIONS	LEB 4 On - Off	LEB 10 On - Off	LEB 10 Proportional signal control
General specifications			
Maximum torque	45 N.m	100 N.m	100 N.m
Operating torque	35 N.m	60 N.m	60 N.m
Operating time 90°	6 s	35 s	35 s
Flange	F05 / F07	F05 / F07	F05 / F07
Environment			
Protection	IP65	IP65	IP65
Ambient temperature	-10...+50°C / +14...+122 °F	-10...+50°C / +14...+122 °F	-10...+50°C / +14...+122 °F
Materials	Aluminium / PMMA	Aluminium / PMMA	Aluminium / PMMA
Motor data			
Duty rating	30%	30%	50%
Power supply (3 versions)	230 VAC 50 Hz 115 VAC 60 Hz 24 VAC/VDC	230 VAC 50 Hz 115 VAC 60 Hz 24 VAC/VDC	230 VAC 50 Hz 115 VAC 60 Hz 24 VAC/VDC
Motor Power	30 W approx.	15 W approx.	15 W approx.
Controls & signalling			
Controls	Prewired	Prewired	0-20 mA / 4-20 mA / 0-10 V
Open / Closed signalling	2 SPDT (max 250VAC / 5A)	2 SPDT (max 250VAC / 5A)	2 SPDT (max 250VAC / 5A)
Position potentiometer	Option (1 kOhm)	Option (1 kOhm)	NA
Position transmitter	Option (0-20 / 4-20mA)	Option (0-20 / 4-20mA)	Standard (0-20 / 4-20mA)
Electrical connections			
Cable entries	2 x M20 cable glands Connectors (option)	2 x M20 cable glands Connectors (option)	2 x M20 cable glands Connectors (option)
Max. wire section	2.5 mm ²	2.5 mm ²	2.5 mm ²
Heater	Option	Option	NA

DIMENSIONS AND WEIGHT



SOCKET MACHINING

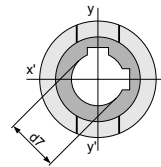
socket with 2 positions
Standard dimensions



Parallel square

S

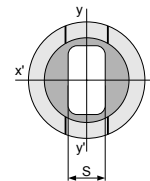
9 / 11 / 14 / 16 / 17 / 19



Key

Ød7

14 / 18 / 20 / 22



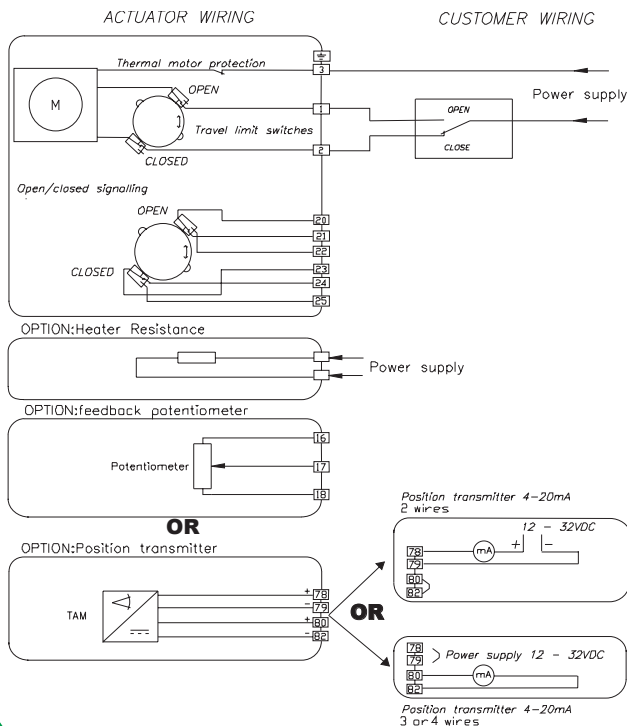
Flat

S

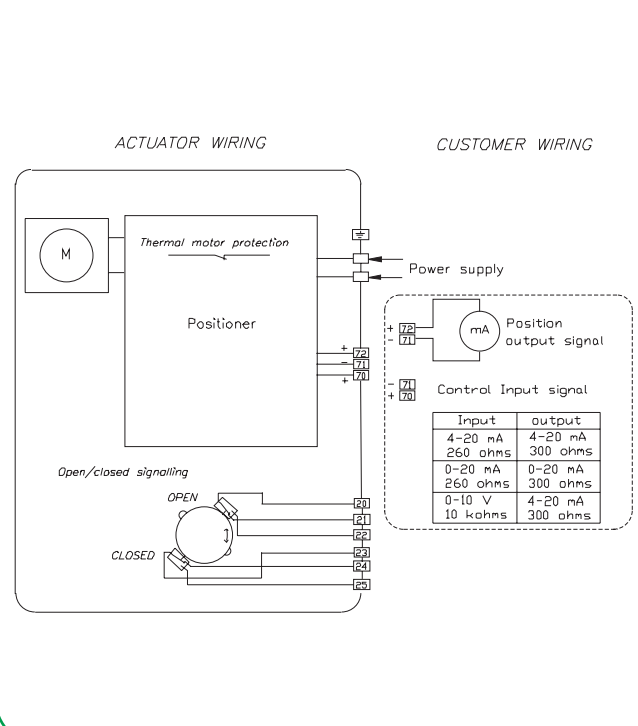
14

Other machining on request

Wiring diagram - on-off prewired



Wiring diagram - proportional control



At Your Service Over The World

Website : www.bernard-actuators.com / e-mail : mail@bernard-actuators.com / Tel : +33 1 34 07 71 00